

BF360SP

STU Mounting Plate Kit • Installation Instructions



THIS EQUIPMENT MUST ONLY BE INSTALLED BY A SUITABLY SKILLED AND TECHNICALLY COMPETENT PERSON. ENSURE ALL POWER IS REMOVED FROM THE PANEL PRIOR TO INSTALLATION.

GENERAL

The BF360SP STU mounting plate kit is fitted in a BF360-12 (2A 12V) PSU and facilitates the mounting of a third party Subscriber Terminal Unit (STU). The kit can also be used with a BF360-24 (1.5A 24V) PSU by using an ancillary box (BF360BOX).

INSTALLATION

Location

The STU mounting plate is secured inside the BF360-12 PSU base unit, on the left-hand side (see Figure 1).

Fixings

Using the four mounting holes in the PSU base unit, flush fit the plate into position using the four retaining screws provided. Do not overtighten the screws otherwise their threads will strip. The mounting holes are suitable for use with PT screws (3x6 Pan Pozi PT). Care must be taken not to damage any internal wiring or components inside the base unit.

Important Note: Ensure that the raised 'H' leg of the plate is orientated on the right-hand side with all four retaining screws fitted. This is to facilitate the easy connection of cables to the STU (see Figure 3).

Fix the four sticky pads to the plate and the self adhesive cable clip and cable tie in the base unit (see Figure 1). Fix the STU onto the four sticky pads and secure the 12VDC battery into position using the cable tie provided (see Figure 2).

Make the necessary connections between the Power Supply PCB, 12VDC battery and STU.

Note: The cable connections shown in Figure 2 are for illustrative purposes only.

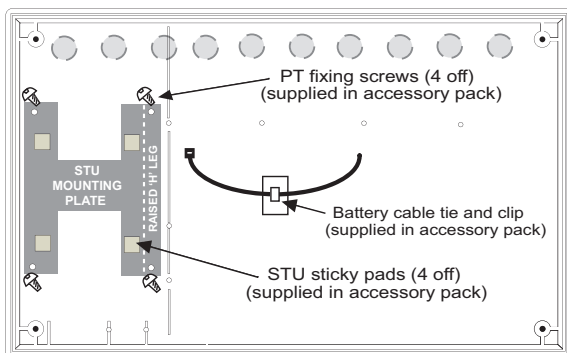


Figure 1 - Accessories fitted

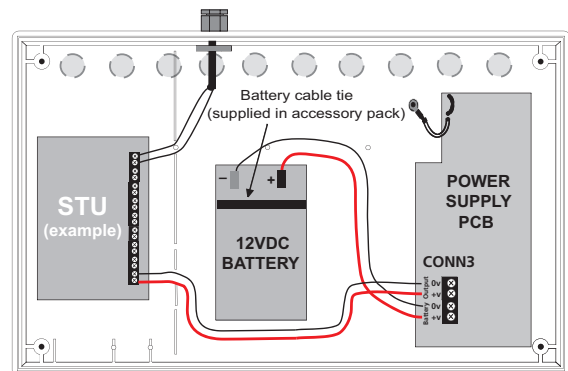


Figure 2 - Components fitted (example)

TECHNICAL SPECIFICATION

STU MOUNTING PLATE	
Material:	1.2mm steel
Size:	125mm(w) x 140mm(h) x 16mm(d) approx.
Fixings:	111mm(w) x 115mm(h) approx.
Weight:	3.0g approx.
ACCESSORY PACK	
1 x Installation Instructions – Doc. No. DFU0360002 (this document); 1 x STU mounting plate; 4 x PT screws (3x6 Pan Pozi PT); 4 x sticky pads; 1 x battery cable tie; 1 x self adhesive cable clip.	

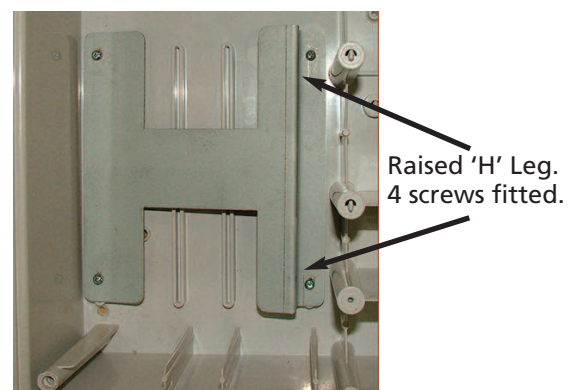


Figure 3 - STU plate orientation

E&OE. No responsibility can be accepted by the manufacturer or distributors of the power supply ancillaries for any misinterpretation of this instruction, or for the compliance of the system as a whole. The manufacturers policy is one of continuous improvement and we reserve the right to make changes to product specifications at our discretion and without prior notice.